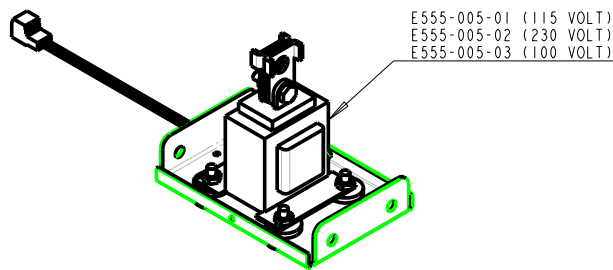
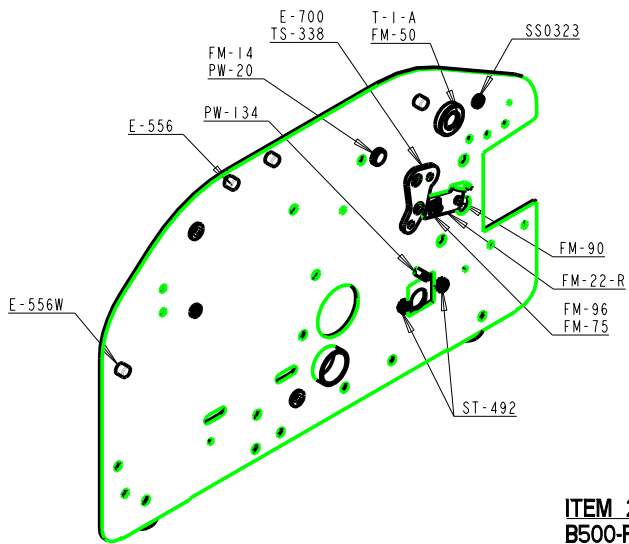
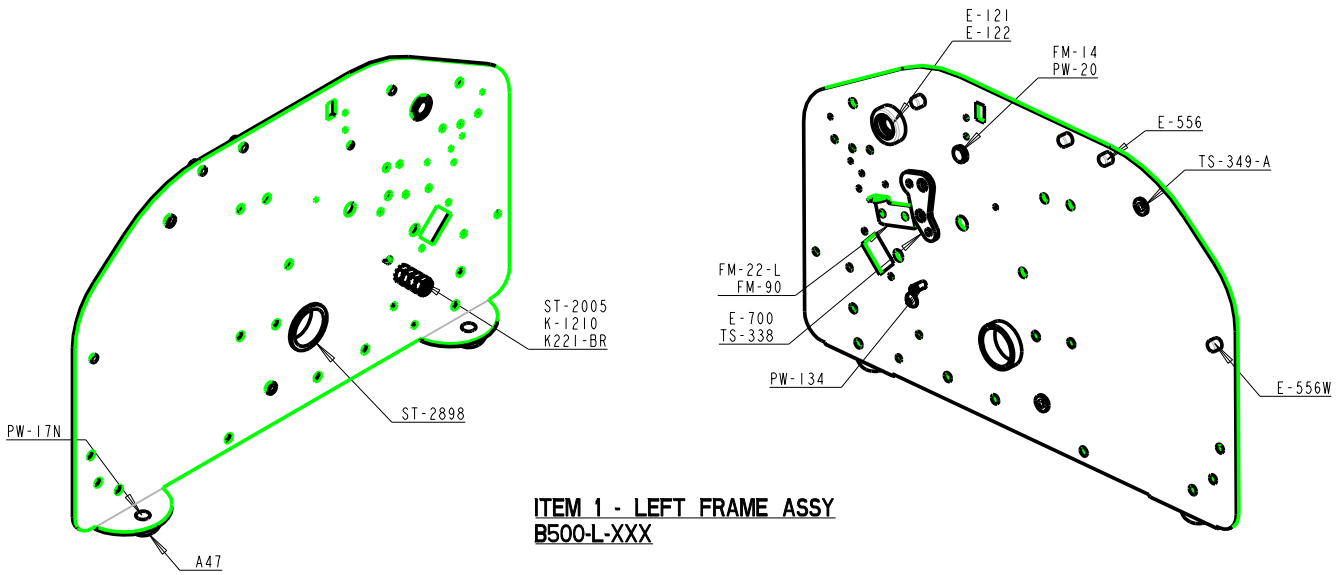


BP500 ITEM LIST
Better Packages, Inc.®

Shelton, CT 06484

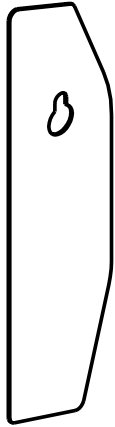




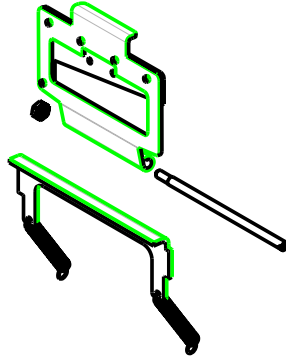
ITEM 3 - SOLENOID SHELF ASSY

MODEL	PART NUMBER
B500	E-550-X-01
B500M	E-550-X-02
B500J	E-550-X-03

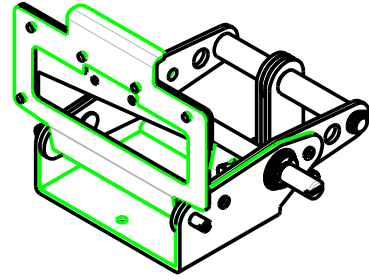
BP500 ITEM LIST
Better Packages, Inc.®
 Shelton, CT 06484



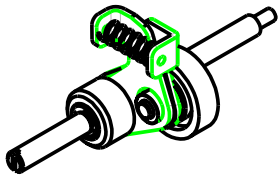
ITEM 4 - ROLL GUIDE
B500-004-00



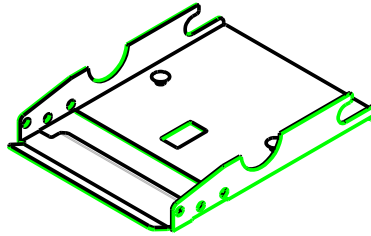
B500-031-K
BLADE KIT, BP500



ITEM 6 - CUTTER YOKE ASSY
B500-021-02



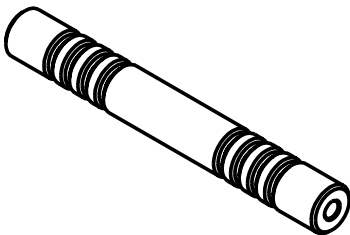
ITEM 7 - IDLER & SHAFT ASSY
E-626-XXX



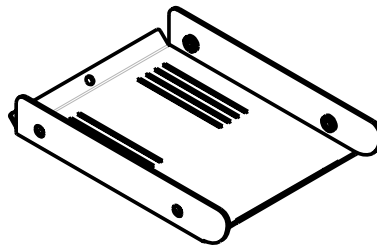
ITEM 8 - ASSY, LOWER TAPE PLATE
FM-11-AX



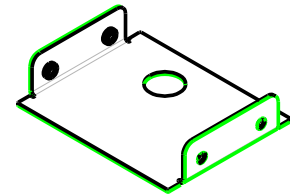
ITEM 9 - ENCODER WHEEL
E555-150-00



ITEM 10 - SLOTTED TIE ROD
FM-56

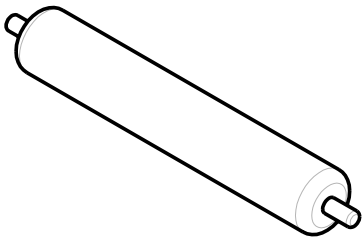


ITEM 11 - BASKET
FM-57-X

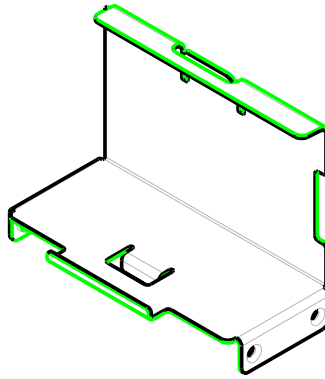


ITEM 12 - VERTICAL TIE PLATE
FM-58-X

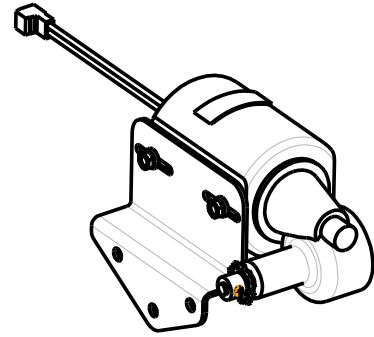
BP500 ITEM LIST
Better Packages, Inc.®
Shelton, CT 06484



ITEM 13 - TAPE ROLLER ASSY
FM-59-X

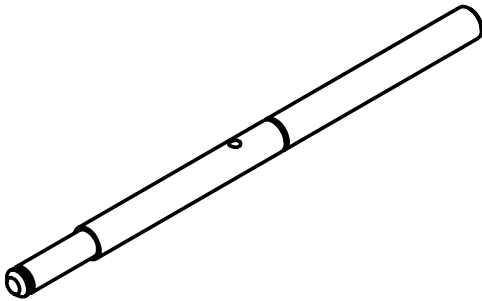


ITEM 14 - SAFETY BAFFLE
TS33-032-00

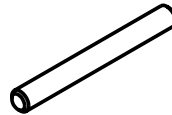


ITEM 15 - MOTOR BRACKET ASSY

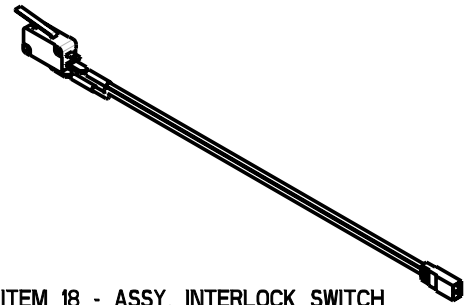
MODEL	PART NUMBER
B500	E555-044-01
B500M	E555-044-02
B500J	E555-044-03



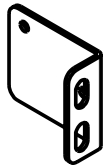
ITEM 16 - SHAFT, FEED WHEEL
B500-011-00



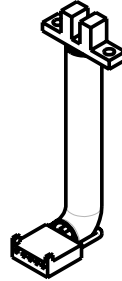
ITEM 17 - PIN, FEED WHEEL SHAFT
EA-46P



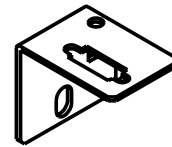
ITEM 18 - ASSY, INTERLOCK SWITCH
B500-016-01



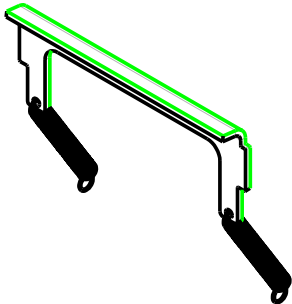
ITEM 19 - BRACKET, INTERLOCK SWITCH
B500-007-00



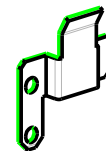
ITEM 20 - ASSY, SENSOR
B500-017-01



ITEM 21 - BRACKET, SENSOR
B500-018-00



ITEM 22 - STATIONARY BLADE ASSY
FM-21-X



ITEM 24 - INTERLOCK SWITCH GUARD
B500-019-00

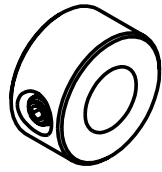


BP500 ITEM LIST
Better Packages, Inc.®

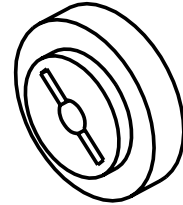
Shelton, CT 06484



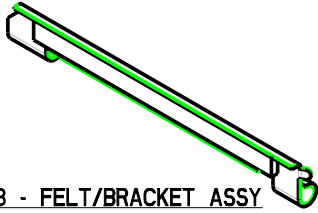
ITEM 25 - SHEAR GUIDE ROLLER, NARROW
FM-18



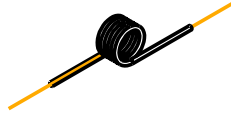
ITEM 26 - COLLAR & SET SCREW ASSY
K-37-X



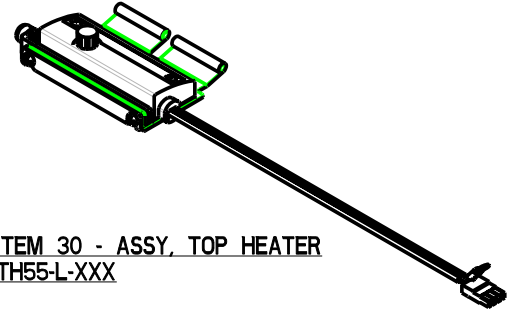
ITEM 27 - FEED WHEEL
E555-065-00



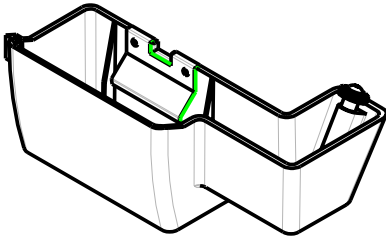
ITEM 28 - FELT/BRACKET ASSY
SA-10-X



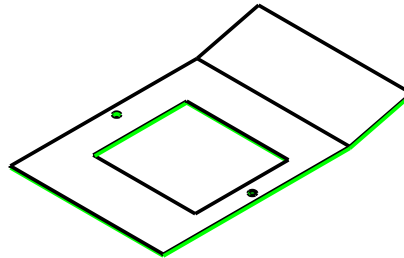
ITEM 29 - WIRE SPRING
SA-13



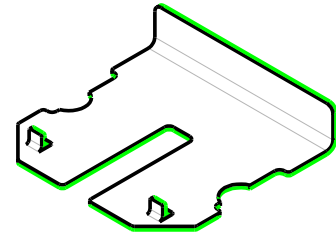
ITEM 30 - ASSY, TOP HEATER
TH55-L-XXX



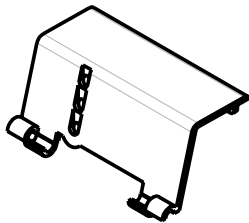
ITEM 31 - TANK ASSY
E-561-PX



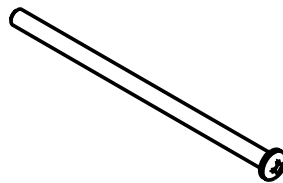
ITEM 32 - BOTTOM PLATE
E-690



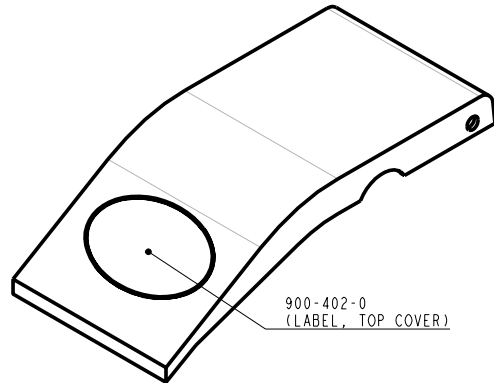
ITEM 33 - UPPER TAPE PLATE
FM-12EL



ITEM 34 - LOWER FRONT COVER
FM-3



ITEM 35 - TIE SCREW
FM-61

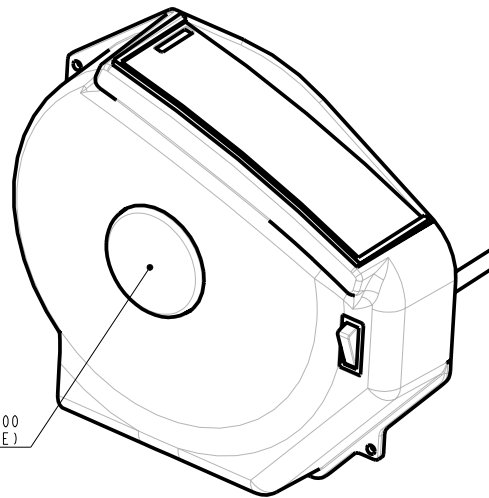
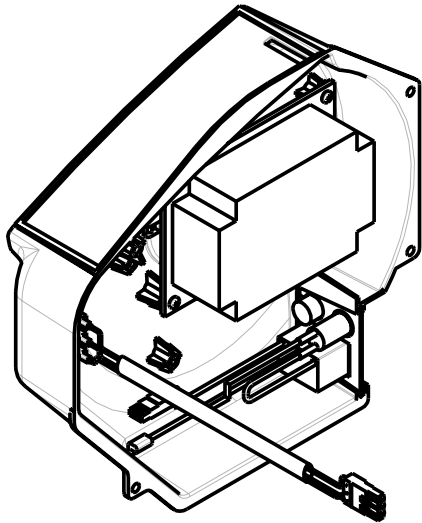


ITEM 36 - FRONT COVER ASSY
E-582-X

BP500 ITEM LIST

 **Better Packages, Inc.®**

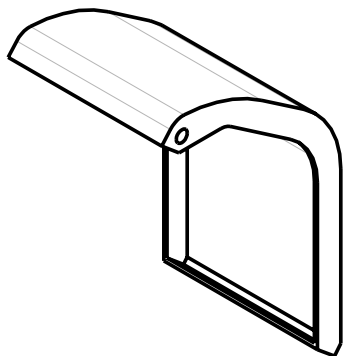
Shelton, CT 06484



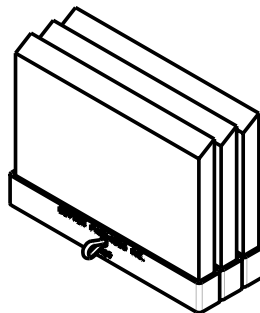
B500-012-00
(BADGE)

ITEM 37 - LEFT COVER ASSY

MODEL	PART NUMBER
B500	B500-002-01
B500M	B500-002-02
B500J	B500-002-03



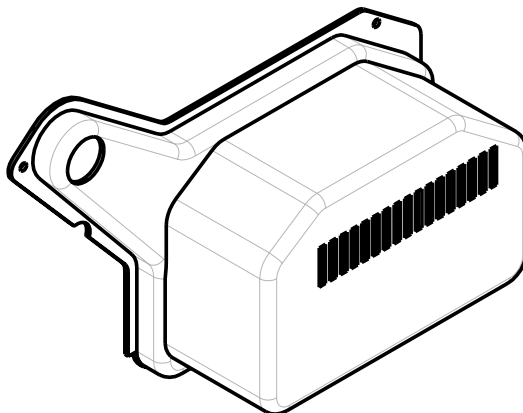
ITEM 38 - REAR COVER
E-583



ITEM 39 - BRUSH ASSY
E-107-X



ITEM 40 - FEED SHAFT SPROCKET
ND-114-A



ITEM 41 - CHAIN
ND-116

ITEM 42 - MOTOR & CHAIN COVER
E-559

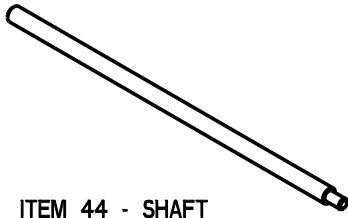


ITEM 43 - CUTTER SPRING
E-585-C

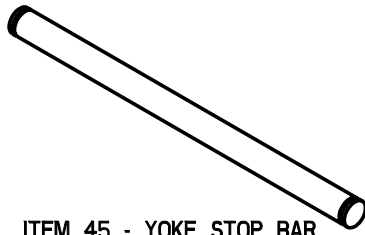


BP500 ITEM LIST
Better Packages, Inc.®

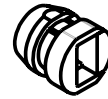
Shelton, CT 06484



ITEM 44 - SHAFT
E-580



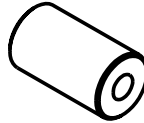
ITEM 45 - YOKE STOP BAR
E-527



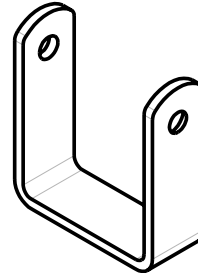
ITEM 46 - STRAIN RELIEF BUSHING
ST-1628



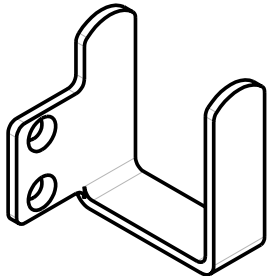
ITEM 47 - CLIP
E-676



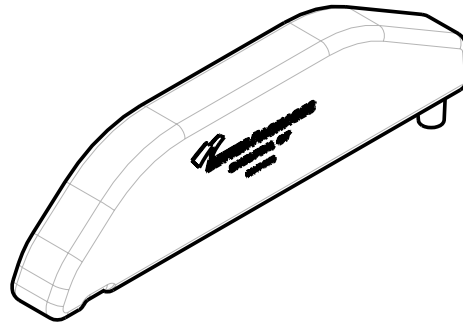
ITEM 48 - SPACER
ST-1592



ITEM 49 - BOTTLE BRACKET, FRONT
FF-6120



ITEM 50 - BOTTLE BRACKET, REAR
FF-6110



ITEM 51 - WATER BOTTLE
FF-6100



ITEM 54 - WASHER, .257 ID x 3/4 OD
E-637



ITEM 55 - WASHER, MOTOR BRACKET
ND-125



ITEM 56 - WASHER
ST-2528



ITEM 57 - WASHER, FLAT #8
ST-1965



ITEM 58 - NUT, #10-24
ST-2890



ITEM 59 - RETAINING RING
WK-20



ITEM 60 - INTERNAL LOCKWASHER
I214



ITEM 61 - E-RING
FM-101



ITEM 62 - RETAINING RING
WK-2



ITEM 63 - KEPS NUT, 1/4-20
ST-2882



ITEM 64 - HEX NUT
K-223



ITEM 65 - ACORN NUT
ST-2881



ITEM 66 - NUT, #4-40 KEPS
ST-1068



ITEM 67 - SCREW, #6 x 1/4 PHP
EA70



ITEM 68 - SCREW, 1/4-20 1/2" LG PHP
TO-256



ITEM 69 - SCREW, 1/4-20 x 3/4 HEX HD
TS-415



ITEM 70 - SCREW, #8-32 x 5/16 RHP
K-255



ITEM 71 - SCREW, #4-40 x 5/8, PHP
ST-2897



ITEM 72 - SCREW, #10-32 x 1 1/8, PHP
K201-F



ITEM 73 - SCREW, #10-32 x 1/2 RHP
W/ LOCTITE PATCH
FM-96P



ITEM 74 - SCREW, #10-32 x 1 1/4, FHP
ST-2924

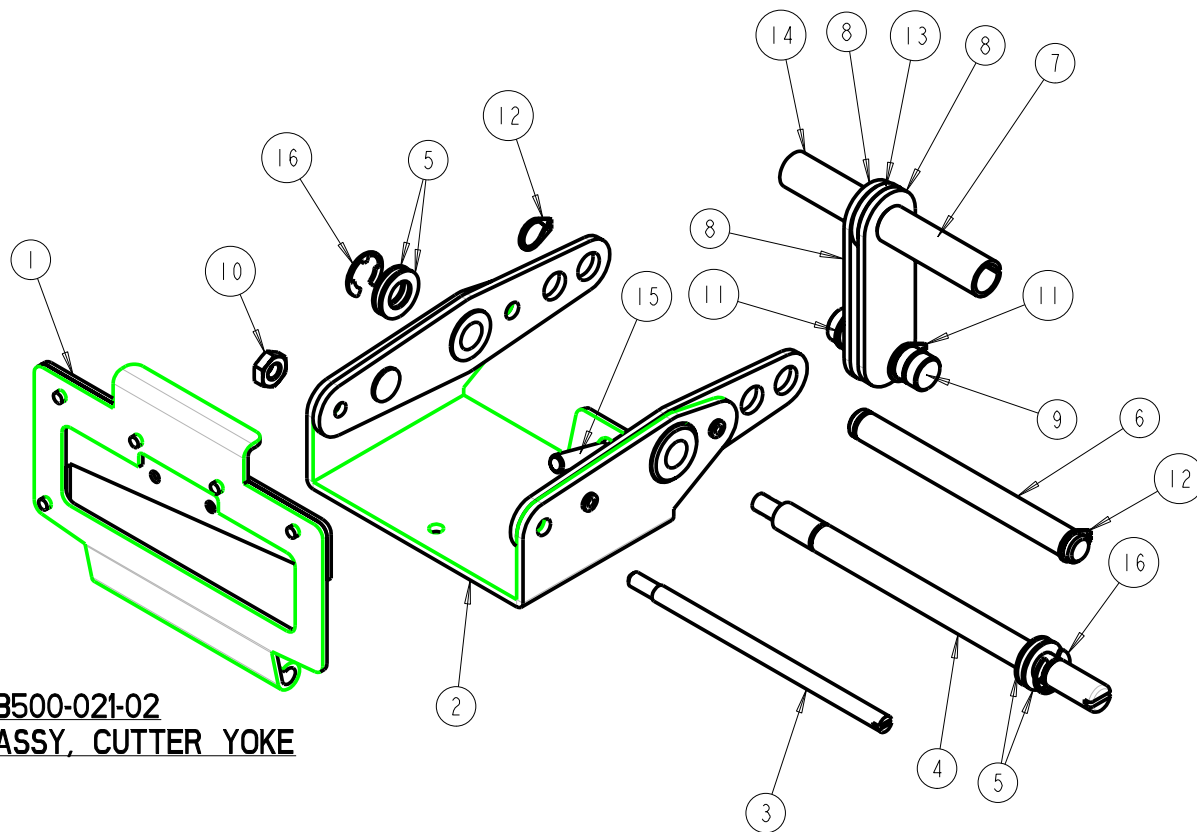


ITEM 75 - SCREW, #10-24 x 3/8 PHP (SEMS)
ST-1949



BP500 HARDWARE LIST
Better Packages, Inc.®

Shelton, CT 06484



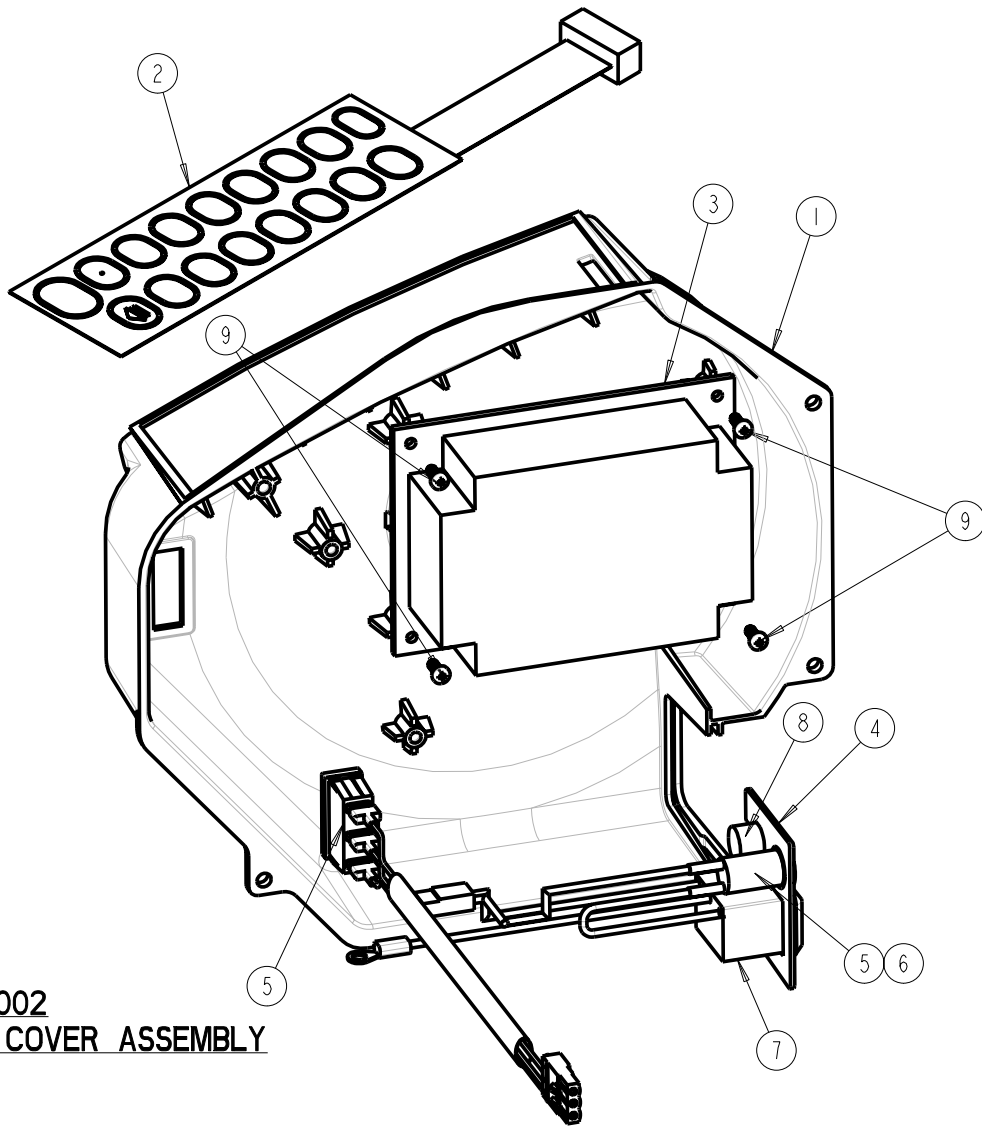
B500-021-02
ASSY, CUTTER YOKE

ITEM	PART NUMBER	DESCRIPTION
1	B500-021-02	ASSY, CUTTER
2	E584-RAX	ASSY, YOKE BRACKET
3	FM-25-B	BLADE HOLDER PIVOT PIN
4	FM-32	ROCKER SHAFT
5	SX49A	WASHER, .32 x 9/16 x 1/32
6	E-623	CUTTER YOKE LINK PIVOT SHAFT
7	E-624	RIGHT, CUTTER YOKE LINK SPACER
8	E-551	SOLENOID LINK
9	E-594	SOLENOID PIN
10	K221B	BOOT NUT, 10-32
11	WK3	RETAINING RING
12	WK2	RETAINING RING
13	E-640	SOLENOID LINK FELT WASHER
14	E-625	LEFT, CUTTER YOKE LINK SPACER
15	FM-73	SCREW, #10-32 x 3/4 OVAL
16	FM-94	RETAINING RING



Better Packages, Inc.®

Shelton, CT 06484



**B500-002
LEFT COVER ASSEMBLY**

ITEM	PART NUMBER	DESCRIPTION	MODEL
1	B500-002-00	COVER, B500 LEFT SIDE	ALL MODELS
2	B500-003-01	KEYBOARD ASSY, B500, INCH	115v IN
2	B500-003-02	KEYBOARD ASSY, B500, CM	220v CM, 115v IN
3	B500-001-01	PCB ASSY, B500 CONTROLLER BOARD	115v IN
3	B500-001-02	PCB ASSY, BP500M CONTROLLER BOARD	220v CM
3	B500-001-03	PCB ASSY, B500J CONTROLLER BOARD	115v CM
4	B500-006-00	PLATE, POWER ENTRY, SINGLE FUSE	115v IN, 115v CM
4	B500-010-00	PLATE, POWER ENTRY, DOUBLE FUSE	220v CM, 220v IN
5	ST-2341	FUSE, 4A, 5MM x 20MM, SLO BLO	115v IN, 115v CM
5	ST-2490	FUSE, 2A, 5MM x 20MM, SLO BLO, 250V	220v IN, 220v CM
6	ST-2321	FUSE HOLDER	ALL MODELS
7	E555-128-01	LINE FILTER ASSY	ALL MODELS
8	ST-2873	PANEL PLUG	115v IN, 115v CM
9	ST-2876	SCREW, PLASTITE, #8 x 3/8" LG	ALL MODELS

 **Better Packages, Inc.®**
Shelton, CT 06484